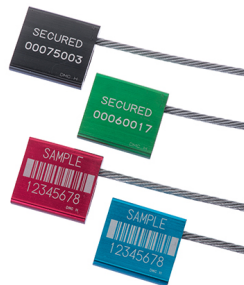




DEFENDER 3.5 CABLE SEAL

The Defender Cable seals are used on freight containers, storage units and truck doors. The adjustable loop diameter provides a wide application range and the flexibility to secure almost any type of container door. The Defender 3.5 is ISO17712 compliant the to the “High Security” level for international shipments.



APPLICATIONS

- ↗ Freight containers
- ↗ Gates
- ↗ Railroad freight and tank cars
- ↗ Storage units
- ↗ Truck doors
- ↗ Intermodal Containers

FEATURES

- ↗ C-TPAT Compliant
- ↗ Rustproof aluminum body
- ↗ Tool-less application
- ↗ Heavy duty galvanized steel cable provides durability and extra strength
- ↗ Flexible sealing capabilities: can seal uneven or bent locking mechanisms
- ↗ Loop diameter can be adjusted to any size
- ↗ Anodized colors
- ↗ Provides the ultimate anti-pilferage protection
- ↗ Recyclable
- ↗ Stock seals are engraved with the word “SECURED” and sequential numbering

SPECIFICATIONS

- ↗ Aluminum body with galvanized steel cable
- ↗ Body size: 1.30” x 1.19” x .37”
- ↗ Cable diameter: 0.14” (3.5mm)
- ↗ Stock cable length: 12”
- ↗ Custom lengths available
- ↗ Custom printing:
- ↗ Numbering: Sequential
- ↗ Average Breaking Strength: 3000lbs

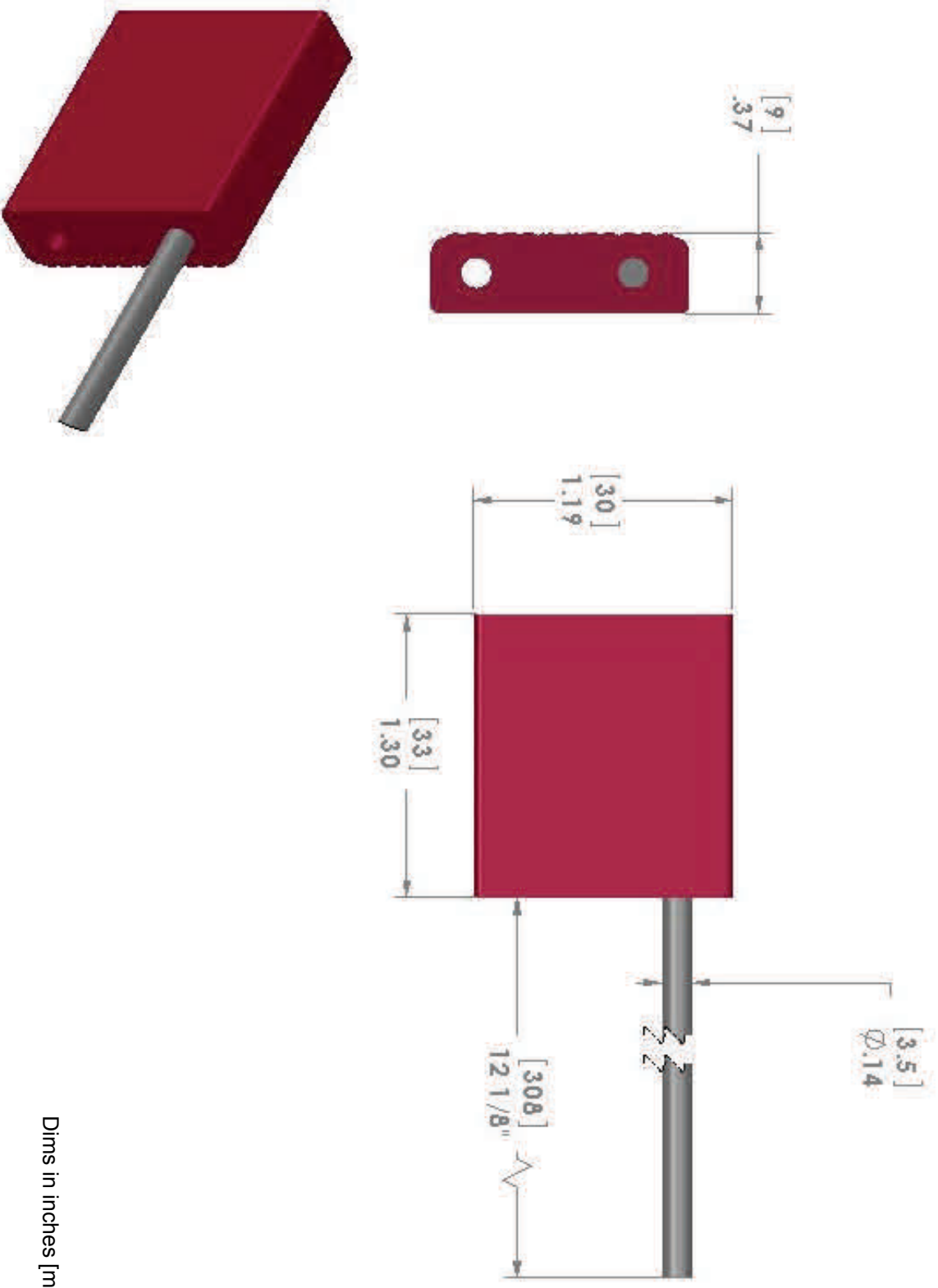
LOCKING INSTRUCTIONS

- ↗ Place loose end of cable through opening of item to be sealed
- ↗ Insert cable end into opening of seal body to engage self locking mechanism
- ↗ Secure the seal by pulling cable until tight
- ↗ Record seal number and seal color as required

REMOVAL

- ↗ Verify serial number and integrity of security seal
- ↗ While wearing proper safety equipment, shear cable with cable cutter & remove
- ↗ Dispose of used cable seal properly





Dim's in inches [mm]

Defender 3.5 Cable